

seppi m.

SPARE PARTS LIST

LISTINO RICAMBI / ERSATZTEILLISTE / LISTE DE PIÈCES DE RECHANGE / LISTADO DE REPUESTOS

MAXISOIL*

Code	Description	Descrizione	Beschreibung	Description	Description
01-0054	Frame	telaio	Rahmen	Chassis	Chasis
02-0027	Rotor	rotore	Rotor	Rotor	Rotor
03-0105	Transmission	trasmissione	Getriebe	Transmission	Transmision
03-0107	Gearbox Comer	moltiplicatore Comer	Getriebe Comer	Boitier Comer	Caja de cambio Comer
08-0006	Hutch	cofano	Haube	Capot	Capó
10-0003	Protection additional for OPT 320	protezione supp. x OPT 320	zusätzlicher Schutz für OPT 320	protection supplément pour OPT 320	protección suplem. para x OPT 320
15-0004	hydr operated compacting roller	rullo compattatore	hydr Nivellierungswalze	rouleau de nivelage hydr	rodillo de nivelacion hidr

Released 05/10/2010

Valid from:

Valida da:

Gültig ab:

Valable à partir du:

En vigor a partir del:

2010

LEGENDA

INFO	+	-	#
EN	and	to	or
ITA	e	a	o
DE	und	bis	oder
FR	et	à	ou
SP	y	hasta	o

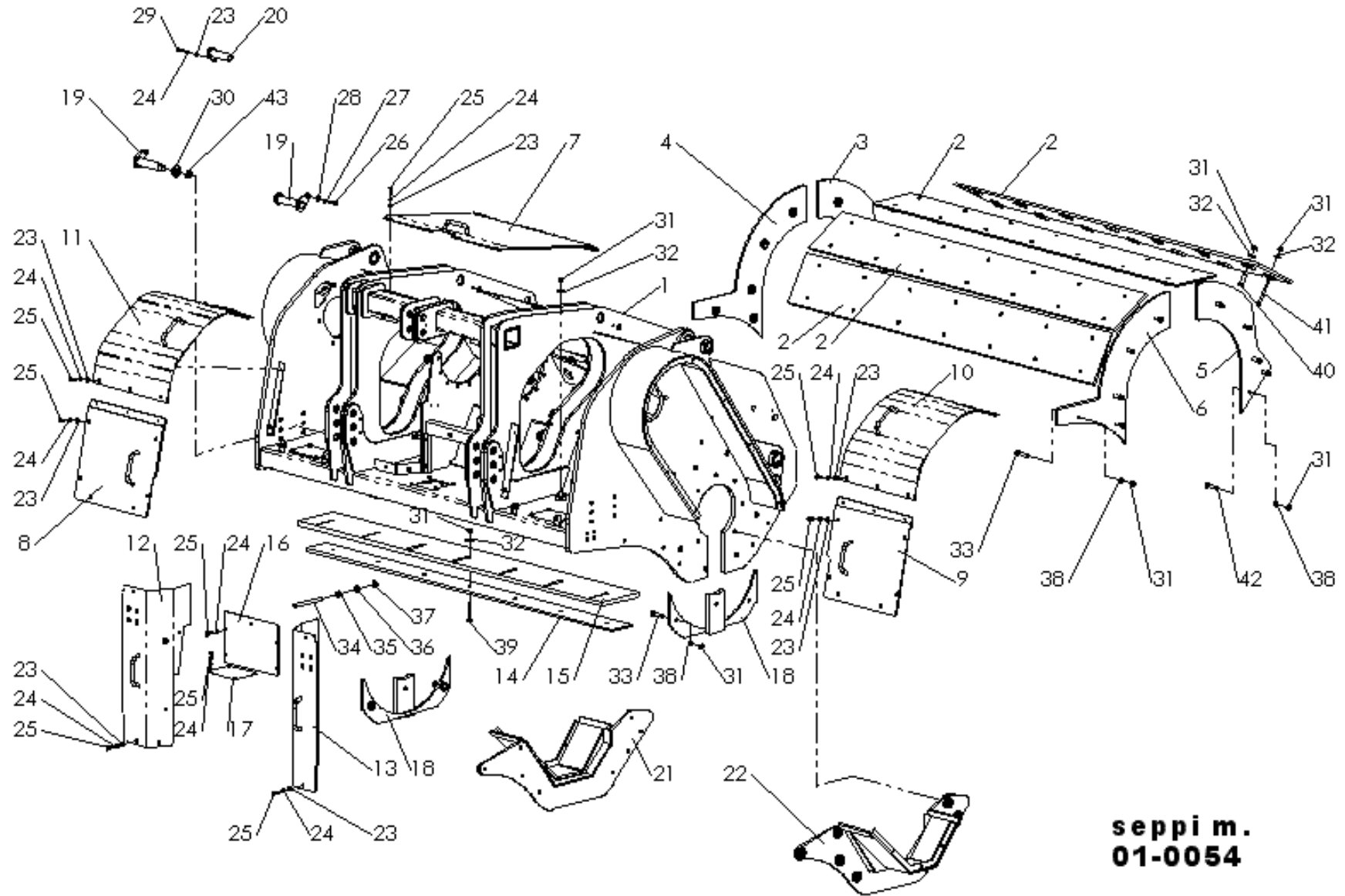
Frame

telaio

Rahmen

Chassis

Chasis



seppi m.
01-0054

Pos.	Code	Description	Descrizione	Beschreibung	Description	Descripción	Info
002	18701032		PIATTO ANTIUSURA L=2230 CPL				
003	18710019		PIASTRA ANTIUSURA POSTERIORE CPL SX				
004	18710018		PIASTRA ANTIUSURA ANTERIORE CPL DX				
005	18710020		PIASTRA ANTIUSURA POSTERIORE CPL DX				
006	18710017		PIASTRA ANTIUSURA ANTERIORE CPL SX				
007	18701107		COPERCHIO CENTRALE SUPERIORE CPL				
008	18701080		COPERCHIO LATERALE SMONT CPL DX L=225				
009	18701076		COPERCHIO LATERALE SMONT CPL SX L=225				
010	18701101		COPERCHIO LATERALE CPL SX L=225				
011	18701104		COPERCHIO LATERALE CPL DX L=225				
012	18701129		COPERCHIO ANTERIORE CPL DX CENTRALE				
013	18701124		COPERCHIO ANTERIORE CPL SX CENTRALE				
014	18701061		BLOCCAGGIO CPL L=225 X PIATTO ANTIUS REG				
015	18701035		PIATTO ANTIUSURA REGOLABILE L=2230				
016	18701121		COPERCHIETTO ANTERIORE				
017	18701122		COPERCHIETTO X APERTURA DI REGISTRO				
018	18701053		LINGUELLA X MAXISOIL CPL				
019	18704001		PERNO CON GOCCIA D36,6 X L=153 INT=60				
020	20004040	PIN WITH PLATE D31,7 X L=135 INT=45	PERNO CON GOCCIA D31,7 X L=135 INT=45	BOLZEN M. PLATTE D31,7 X L=135 INT=45	GAUJON A.PLAQUE D31,7 X L=135 INT=45	PERNO CON PLACA D31,7 X L=135 INT=45	
021	18707013		SLITTA DX MAXISOIL				
022	18707009		SLITTA SX MAXISOIL				
023	97093210	SMOOTH WASHER CARPENT.X M10 UNI 5714 ZN	ROSETTA PIANA CARPENT.X M10 UNI 5714 ZN	GLATTE SCHEIBE F. M10 UNI 5714 ZN	RONDELL. LISSE CARPENT.X M10 UNI 5714 ZNP	ARANDELA PLANA CARPENT.X M10 UNI 5714 ZN	
024	97494931	WASHER ELSP ASA B- 27 - 10,2X18,1X2,2 ZN	ROSETTA ELSP ASA B-27- 10,2X18,1X2,2 ZN	SCHEIBE ELSP ASA B-27 - 10,2X18,1X2,2 ZN	RONDELLE ELS ASA B- 27 - 10,2X18,1X2,2 Z	ARANDELA ELSP ASA B-27- 10,2X18,1X2,2 ZN	
025	96607723	BOLT TE M10X 30 UNI 5739 10.9 ZN	VITE TE M10X 30 UNI 5739 10.9 ZN	SCHRAUBE TE M 10 X 30 UNI 5739 10,9 ZN	VIS TE M10X 30 UNI 5739 10.9 ZN	TORNILLO TE M10X 30 UNI 5739 10.9 ZN	
026	96609921	BOLT TE M 12X030 UNI 5739 8.8 ZN	VITE TE M12X 30 UNI 5739 8.8 ZN	SCHRAUBE TE M 12 X 30 UNI 5739 8,8 ZN	VIS TE M 12X030 UNI 5739 8.8 ZN	TORNILLO TE M12X 30 UNI 5739 8.8 ZN	
027	97495031	WASHER ELSP ASA B- 27 - 12,2X21,2X2,5 ZN	ROSETTA ELSP ASA B-27- 12,2X21,2X2,5 ZN	SCHEIBE ELSP ASA B-27 - 12,2X21,2X2,5 ZN	RONDELLE ELS ASA B- 27 - 12,2X21,2X2,5 Z	ARANDELA ELSP ASA B-27- 12,2X21,2X2,5 ZN	

Pos.	Code	Description	Descrizione	Beschreibung	Description	Descripción	Info
028	97093211	WASHER	ROSETTA PIANA CARPENT.X M12 UNI 5714 ZN	GLATTE SCHEIBE F. M12 UNI 5714 ZN	RONDELLE LISSE M M12 UNI 5714	ARANDELA PLANA CARPINT.X M12 UNI 5714 ZN	
029	96607721	BOLT TE M 10X030 UNI 5739 8.8 ZN	VITE TE M10X 30 UNI 5739 8.8 ZN	SCHRAUBE TE M 10 X 30 UNI 5739 8,8 ZN	VIS TE M 10X030 UNI 5739 8.8 ZN	TORNILLO TE M10X 30 UNI 5739 8.8 ZN	
030	97094011	SMOOTH WASHER UNI 6592 - 31,0X56X4,0ZN	ROSETTA PIANA UNI 6592- 31,0X56X4,0 ZN	GLATTE SCHEIBE UNI 6592 - 31X56X4 ZN	RONDELL.LISSE UNI 6592 - 31,0X56X4,0 ZN	ARANDELA PLANA UNI 6592- 31,0X56X4,0 ZN	
031	97972321	LOW.SELFBLOCK.NUT M 14- 6S UNI7474	DADO AUTOBLOC.BASSO M14-6S UNI7474	SELBSTSICHER.MUTTER M14-6S UNI7474 NIED.	ECROU AUTOSERR.M 14-6S UNI7474	TUERCA AUTO BLOQ. BAJA M 14-6S UNI7474	
032	19201010	SPRING 40X14,3X2 N	MOLLA A TAZZA 40X14,3X2	TELLERFEDER 40X14,3X2	RESSORT 40X14,3X2 N	MUELLE 40X14,3X2 N	
033	96613027		VITE TE M14X 70 UNI 5737 8.8 NERA				
034	18701077		TIRANTE REGOLAZIONE PIASTRA IN HARDOX				
035	96980671	NUT M18-6S UNI5589	DADO M18-6S UNI5589 BASSO H=09	MUTTER M 18-6S UNI5589 H=09 NIEDER	ECR.M18-6S UNI5589	TUERCA M18-6S UNI5589 BAJA H=09	
036	97495331	WASHER ELSP ASA B- 27 - 18,2X29,4X3,5 ZN	ROSETTA ELSP ASA B-27- 18,2X29,4X3,5 ZN	SCHEIBE ELSP ASA B-27 - 18,2X29,4X3,5 ZN	RONDELLE ELS ASA B- 27 - 18,2X29,4X3,5 Z	ARANDELA ELSP ASA B-27- 18,2X29,4X3,5 ZN	
037	97095911	SMOOTH WASHER UNI 6592 - 18X34X3,0 ZN	ROSETTA PIANA UNI 6592- 18,0X34X3,0 ZN	GLATTE SCHEIBE UNI 6592 - 18X34X3 ZN	RONDELL.LISSE UNI 6592 - 18X34X3,0 ZN	ARANDELA PLANA UNI 6592- 18,0X34X3,0 ZN	
038	97495134	WASHER ELSP ASA B- 27 - 14,2X24,1X3 N	ROSETTA ELSP ASA B-27- 14,2X24,1X3 N	SCHEIBE ELSP ASA B- 27 - 14,2X24,1X3 N	RONDELLE ELS ASA B- 27 - 14,2X24,1X3 N	ARANDELA ELSP ASA B-27- 14,2X24,1X3 N	
039	96612727	BOLT TE M14X 55 UNI 5739 8.8 NERA	VITE TE M14X 55 UNI 5739 8.8 NERA	SCHRAUBE TE M 14 X 55 UNI 5739 8,8 SCHW	VIS TE M14X 55 UNI 5739 8.8 NERA	TORNILLO TE M14X 55 UNI 5739 8.8 NERA	
040	96613227	BOLT TE M14X 90 UNI 5737 8.8 NERA	VITE TE M14X 90 UNI 5737 8.8 NERA	SCHRAUBE TE M 14 X 90 UNI 5737 8,8 SCHW	VIS TE M14X 90 UNI 5737 8.8 NERA	TORNILLO TE M14X 90 UNI 5737 8.8 NERA	
041	96621727		VITE TE M14X120 UNI 5739 8.8 NERA				
042	96611927		VITE TE M14X 60 UNI 5737 8.8 NERA				
043	75000180		GHIERA AUTOBLOCCANTE M30 X 1,5				

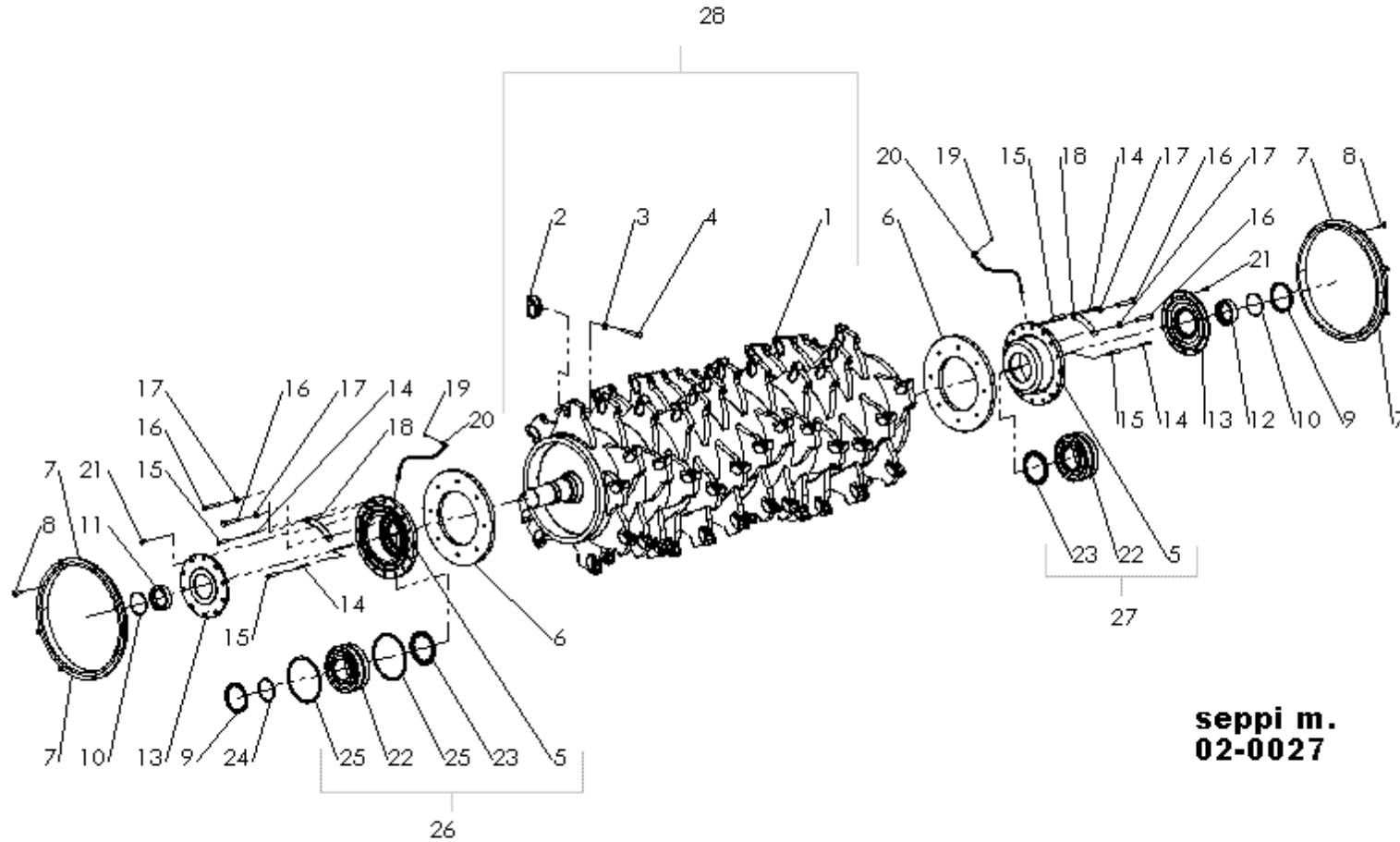
Rotor

rotore

Rotor

Rotor

Rotor

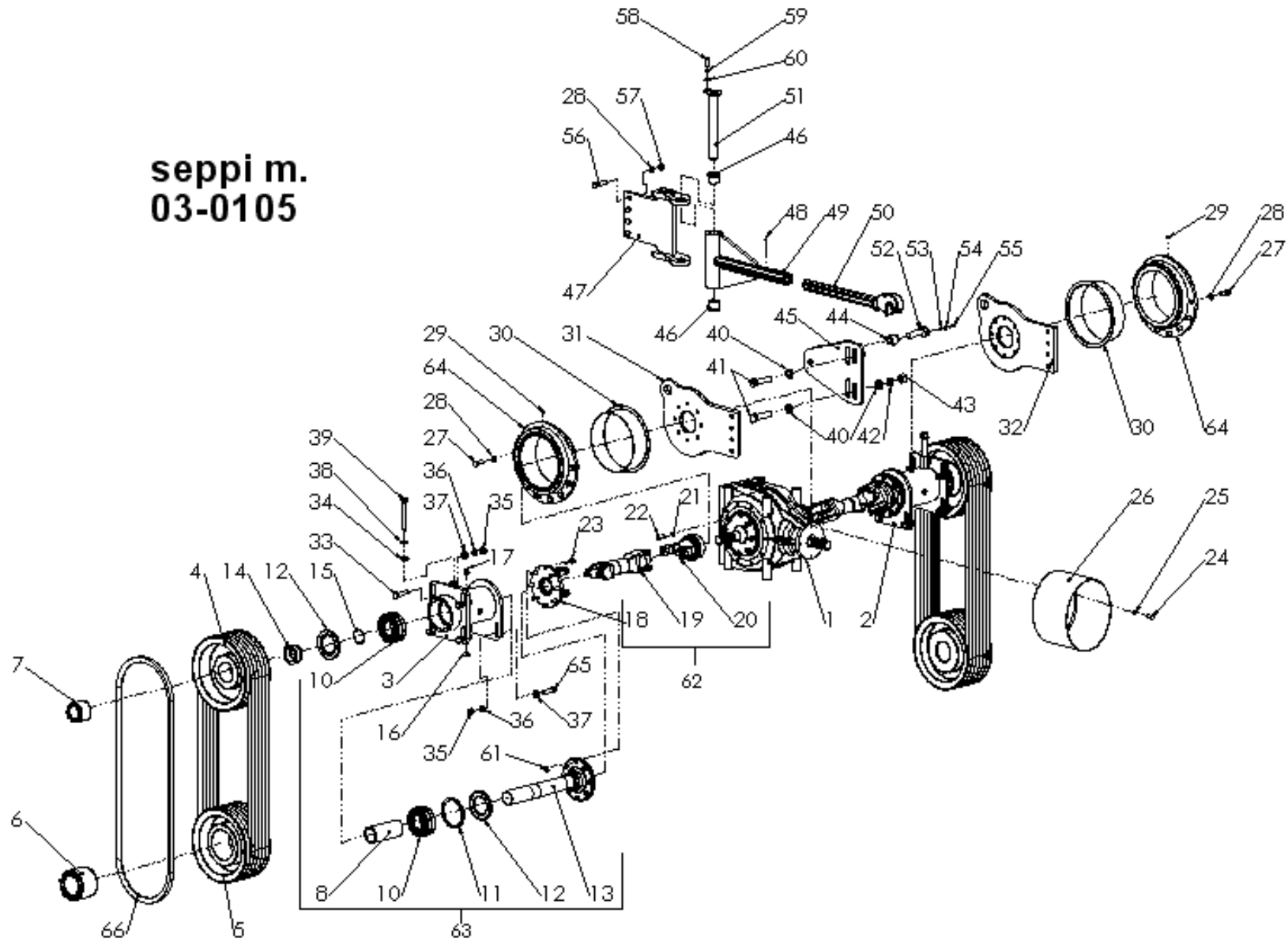


seppi m.
02-0027

Pos.	Code	Description	Descrizione	Beschreibung	Description	Descripción	Info
002	17602084	HAMMER MINIFORST WITH 6 TIPS	UTENSILE MINIFORST CON 6 PLACCHETTE	SCHLAEGEL MINIFORST MIT 6 PLAQUETTEN	MARTEAU MINIFORST AVEC 6 PLAC.	UTENSILIO MINIFORST CON 6 PLACAS	Opt 228
002	18702163		MARTELLO CON PLACC.187.02.161				Opt 141
003	97092171	SPRING WASHER UNI 8836	ROSETTA CONICA EL. UNI 8836 17X32X3,4	KONISCHE FEDERSCHEIBE UNI 8836	RONDELL 17X32X3,4	ARANDELA CONICA EL. UNI 8836 17X32X3,4	
004	96615725		VITE TE M16X120 X 1,5 10.9 NERA U5738	SCHRAUBE TE M16X120 X 1,5 10.9 SCHWARZ			
005	18202003		SUPPORTO CUSCINETTO X MEGAFORST				
006	18202011	FLANGE PROT.MEGAFORST	CONTROFLANGIA X SUPP.CUSCIN. MEGAFORST	GEGENFLANSCH MEGAFORST	PROT.FLASQUE MEGAFORST	PROT. BRIDA MEGAFORST	
007	18202015	PROT. RING C.ROTOR MEGAFORST	SEMIANELLO PROTEZIONE ROTORE MEGAFORST	HALBRING F. ROTOR MEGAFORST	BAGUE DE PROT .ROTOR MEGAFORST	JUNTA ORING CPL.PROT.ROTOR MEGAFORST	
008	97346133		VITE TSEI M12X 45 UNI 5933 10.9 NERA				
009	18202006	OIL SEAL 125 X150 X12 AS	ANELLO DI TENUTA 125 X150 X12 AS	DICHTUNGSRING 125 X150 X12 AS	BAGUE ETACH. 125 X150 X12 AS	RETEN 125 X150 X12 AS	
010	97307981	OIL SEAL OR 245/4437 110,70X3,53	ANELLO O-RING OR 245/4437 110,70X3,53	O-DICHTUNGSRING 245/4437 110,70X3,5362	BAGUE ETACH. OR 245/4437 110,70X3,53	RETEN 245/4437 110,70X3,53	
011	18202021		DISTANZIALE CORTO X ROTORE MEGAFORST				
012	18202020		DISTANZIALE LUNGO X ROTORE MEGAFORST				
013	18202008	CPL COVER	COPERCHIO PER SUPPORTO CUSCIN. MEGAFORST	DECKEL	COUVERCLE CPL	CARTER CPL	
014	97260570		SPINA ELASTICA 08X85 SP.1,5				
015	97262670		SPINA ELASTICA 14X85 SP.3				
016	96615531		VITE TE M16X100 UNI 5737 10.9 NERA				
017	97495234	WASHER ELSP ASA B- 27 - 16,2X27,4X3,5 N	ROSETTA ELSP ASA B-27- 16,2X27,4X3,5 N	SCHEIBE ELSP ASA B- 27 - 16,2X27,4X3,5 N	RONDELLE ELS ASA B- 27 - 16,2X27,4X3,5 N	ARANDELA ELSP ASA B-27- 16,2X27,4X3,5 N	
018	18702165		PIASTRINA FISSAVITI ROTORE MAXISOIL				
019	97036611	GREASE NIPPLE UNI 7663 AM 6-5.8	INGRASS DIRITTO UNI 7663 AM 6X1(5-8CH7	SCHMIERNIPPEL UNI 7663 AM 6X1 (5-8)	GRAISSEUR UNI 7663 AM 6-5.8	LUBRICADOR UNI 7663 AM 6X1(5-8CH7	
020	18902062	CPL HOSE F.ROTOR GREASER FORST-SUPER	TUBETTO L=410 INGRASS. CUSCIN. ROTORE	SCHMIERSCHLAUCH L=410 F.ROTORLAGER	TUBE CPL P.GRAISSEUR ROT.FORST-SUPER	TUBO L=410 ENGRASE COJINETE ROTOR	
021	97345233		VITE TSEI M10X 30 UNI 5933 10.9 NERA				
022	18202004		CUSCINETTO 22322 E 110X240X80 OR.RULLI				
023	18202005		ANELLO DI TENUTA 130 X170 X13				
024	96870076		ANELLO EL. PER ALBERI 110X4				
025	18202022		DISTANZIALE DI REGISTRO 220 X 240 SP 3				
026	18202060		SUPPORTO CUSCINETTO CPL CON BATTUTA				

Pos.	Code	Description	Descrizione	Beschreibung	Description	Descripción	Info
027	18202059	BEARING SUPPORT	SUPPORTO CUSCINETTO CPL SENZA BATTUTA	LAGERHALTER	SUPPORT ROULEMENT	SOPORTE COJINETE	
028	18702139		OPT 141 ROTORE CPL MAXISOIL 225				Opt 141
028	18702153		OPT 228 ROTORE CPL MAXISOIL 225				Opt 228

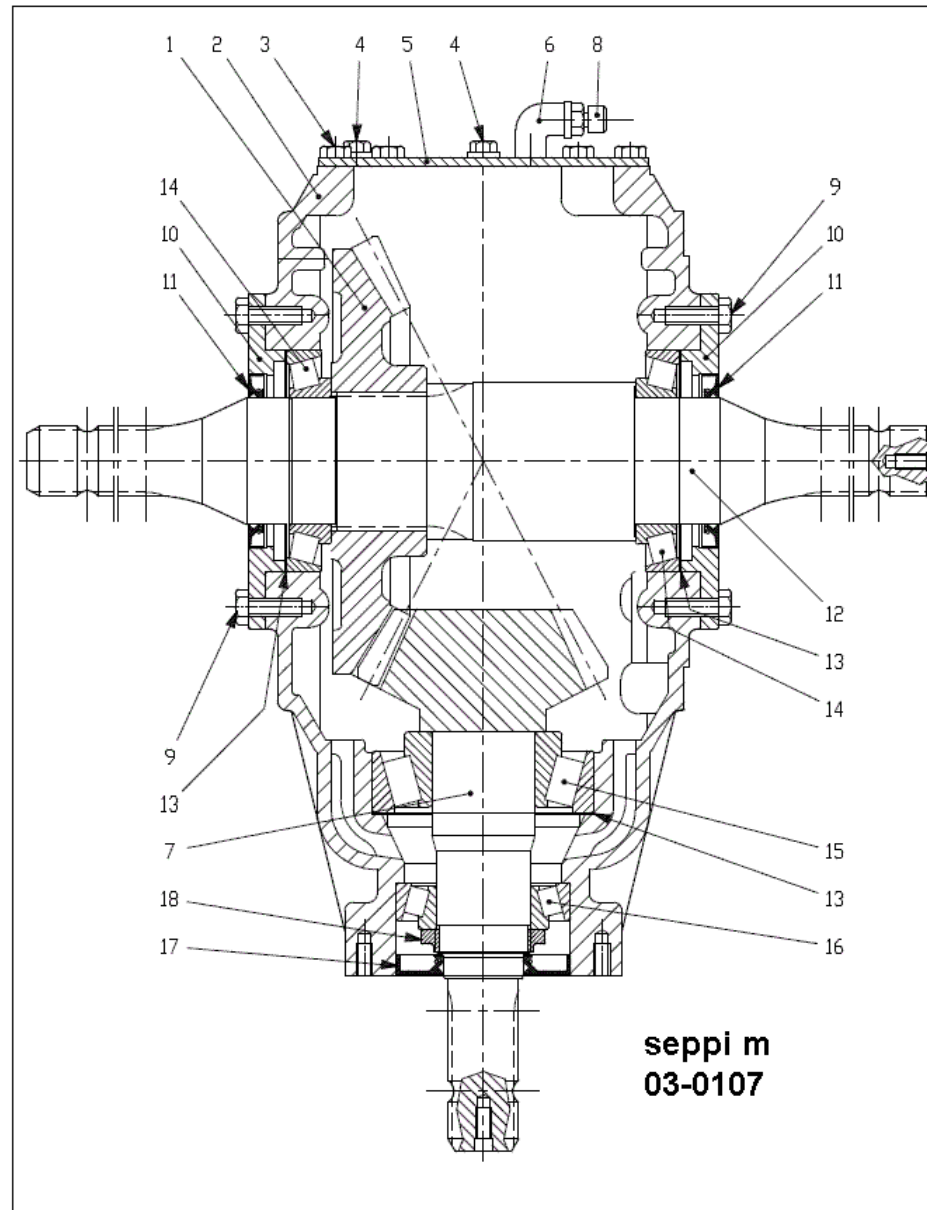
**seppi m.
03-0105**



Pos.	Code	Description	Descrizione	Beschreibung	Description	Descripción	Info
001	18703023		RIDUTTORE T-332A R=1,9:1 S.F.LAVORATO				
003	18703010		PROLUNGA MAXISOIL				
004	18903121	PULLEY 6SPC 350 FORO 95	PULEGGIA 6SPC 350 FORO 95	KEILRIEMENSCHLEIBE 6SPC 350 IN. 95	POULIE 6SPC 350 FORO 95	POLEA 6SPC 350 ORIFICIO 95	
005	18703030		PULEGGIA 6SPC 350 FORO 145				
006	18203003		CALETTATORE VIBLOCK VK 112 100 X 145				
007	19303012	TAPER LOCK VIBLOCK VK 112 65 X 95	CALETTATORE VIBLOCK VK 112 65 X 95	SPANNBUECHSE VIBLOCK VK 112 65 X 95	MOYEU VIBLOCK VK 112 65 X 95	JUNTA VIBLOCK VK 112 65 X 95	
008	20003042	SPACER INT. MAXIFORST MOD.04	DISTANZIALE 65 X 80 X 181	DISTANZBUECHSE 65X76X181	ENTRETOISE INT. MAXIFORST MOD.04	RETEN 75 X 65 X 181	
010	75000199	BEARING 22313 65X140X48 OR.RULLI	CUSCINETTO 22313 E 65X140X48 OR.RULLI	VERST. ROLLENLAGER 22313 E 65X140X48	ROULEMENT 22313 65X140X48 OR.RULLI	RODAMIENTO 22313 E 65X140X48 RODILLOS	
011	96876676	EL.RING FOR FORI 140X4	ANELLO EL. PER FORI 140X4	SEEGERRING F. LOECHER 140X4	BAGUE ARRET P.TROUS 140X4	RETEN EL.P.ORIF.140X4	
012	18903126	OIL SEAL 85 X 140 X 12	ANELLO DI TENUTA 85 X140 X12	DICHTUNGSRING 85 X 140 X 12	BAGUE ETACH. 85 X 140 X 12	RETEN 85 X 140 X 12	
013	18703016		ALBERO CPL X PROLUNGA MAXISOIL				
014	18703015		DISTANZIALE PROLUNGA MAXISOIL				
015	97284880	OIL SEAL O-RING OR 145/3256 64,77X2,62	ANELLO O-RING OR 145/3256 64,77X2,62	O-DICHTUNGSRING 145/3256 64,77 X 2,62	BAGUE ETACH. O-RING OR 145/3256 64,77X2,	RETEN 145/3256 64,77X2	
016	48030246	CAP EXT.HEX. 3/8 NPT (8.6.5.00006)	TAPPO ESAG.EST.13 3/8 NPT (8.6.5.00006)	PFROPFEN EXT.13 3/8 NPT (8.6.5.00006)	BOUCHON HEX.EXT. 3/8 NPT(8.6.5.00006)	TAPON EXAGONO.EST.13 3/8 NPT (86500006)	
017	48030003	CAP 3/8"G (8.6.7.00161) NPT	TAPPO SFIATO 3/8"G (8.6.7.00161)NPT CON.	ENTLUEFTUNGSPROPFEN 3/8"G (8.6.7.00161)	BOUCHON 3/8"G (8.6.7.00161) NPT	TAPON CON RESP. 3/8"G (8.6.7.00161)NPT	
018	18703034		FORCELLA FLG S0 B&P LAVORATA				
019	18703008		CARD SFT-S0 + FRIZ FV44 3000NM				
020	18703035		FORCELLA S0 1"3/8 Z=6 R07				
021	97495034	WASHER ELSP ASA B- 27 - 12,2X21,2X2,5 N	ROSETTA ELSP ASA B-27- 12,2X21,2X2,5 N	SCHEIBE ELSP ASA B- 27 - 12,2X21,2X2,5 N	RONDELLE ELS ASA B- 27 - 12,2X21,2X2,5 N	ARANDELA ELSP ASA B-27- 12,2X21,2X2,5 N	
022	96610031		VITE TE M12X 35 UNI 5739 10.9 NERA				
023	96608028		VITE TE M10X 45 UNI 5712 10.9 NERA				
024	96607721	BOLT TE M 10X030 UNI 5739 8.8 ZN	VITE TE M10X 30 UNI 5739 8.8 ZN	SCHRAUBE TE M 10 X 30 UNI 5739 8,8 ZN	VIS TE M 10X030 UNI 5739 8.8 ZN	TORNILLO TE M10X 30 UNI 5739 8.8 ZN	
025	97494931	WASHER ELSP ASA B- 27 - 10,2X18,1X2,2 ZN	ROSETTA ELSP ASA B-27- 10,2X18,1X2,2 ZN	SCHEIBE ELSP ASA B-27 - 10,2X18,1X2,2 ZN	RONDELLE ELS ASA B- 27 - 10,2X18,1X2,2 Z	ARANDELA ELSP ASA B-27- 10,2X18,1X2,2 ZN	
026	18703027		CONTROCUFFIA OVALE 32/401 X MOLT 332A				
027	96634523	BOLT TE M16X 40 UNI 5739 10.9 ZN	VITE TE M16X 40 UNI 5739 10.9 ZN	SCHRAUBE TE M 16 X 40 UNI 5739 10,9 ZN	VIS TE M16X 40 UNI 5739 10.9 ZN	TORNILLO TE M16X 40 UNI 5739 10.9 ZN	
028	97495231	WASHER ELSP ASA B- 27 - 16,2X27,4X3,5 ZN	ROSETTA ELSP ASA B-27- 16,2X27,4X3,5 ZN	SCHEIBE ELSP ASA B-27 - 16,2X27,4X3,5 ZN	RONDELLE ELS ASA B- 27 - 16,2X27,4X3,5 Z	ARANDELA ELSP ASA B-27- 16,2X27,4X3,5 ZN	
029	97036711	GREASE NIPPLE UNI 7663 AM M8X1,25	INGRASS DIRITTO UNI 7663 AM 8X1,25	SCHMIERNIPPEL UNI 7663 AM M8X1,25	GRAISSEUR UNI 7663 AM M8X1,25	LUBRICADOR UNI 7663 AM 8X1,25	

Pos.	Code	Description	Descrizione	Beschreibung	Description	Descripción	Info
030	20003068	BUSHING	BOCCOLA AUTOLUB FINBW 28590-F325	SELBSTSCHM.GLEITLAGER FINBW 28590-F325	DOUILLE	CASQUILLO AUTOLUBRICANTE 30,5X40,5 L=33	
031	18703019		FLANGIA ROT CPL DX MOLT 332A X OPT 138				
032	18703020		FLANGIA ROT CPL SX MOLT 332A X OPT 138				
033	96603311	BOLT TE M18X 70 UNI 5737 8.8 ZN	VITE TE M18X 70 UNI 5737 8.8 ZN	SCHRAUBE TE M 18 X 70 UNI 5737 8,8 ZN	VIS TE M18X 70 UNI 5737 8.8 ZN	TORNILLO TE M18X 70 UNI 5737 8.8 ZN	
034	97096011	SMOOTH WASHER UNI 6592 - 20X37X3,0 ZN	ROSETTA PIANA UNI 6592-20,0X37X3,0 ZN	GLATTE SCHEIBE UNI 6592 - 20X37X3 ZN	RONDELL.LISSE UNI 6592 - 20X37X3,0 ZN	ARANDELA PLANA UNI 6592-20,0X37X3,0 ZN	
035	97972921	LOW.SELFBLOCK.NUT M 18-6S UNI7474	DADO AUTOBLOC.BASSO M18-6S UNI7474	SELBSTSICHER.MUTTER M18-6S UNI7474 NIED.	ECROU AUTOSERR.M 18-6S UNI7474	TUERCA AUTO BLOQ. BAJA M 18-6S UNI7474	
036	97495331	WASHER ELSP ASA B- 27 - 18,2X29,4X3,5 ZN	ROSETTA ELSP ASA B-27-18,2X29,4X3,5 ZN	SCHEIBE ELSP ASA B-27 - 18,2X29,4X3,5 ZN	RONDELLE ELS ASA B- 27 - 18,2X29,4X3,5 Z	ARANDELA ELSP ASA B-27-18,2X29,4X3,5 ZN	
037	97093811	SMOOTH WASHER CARPENT.X M18 UNI 5714 ZN	ROSETTA PIANA CARPENT.X M18 UNI 5714 ZN	GLATTE SCHEIBE F. M18 UNI 5714 ZN	RONDELL. LISSE CARPENT.X M18 UNI 5714 ZN	ARANDELA PLANA CARPENT.X M18 UNI 5714 ZN	
038	97495431	WASHER ELSP ASA B- 27 - 20,2X33,6X4 ZN	ROSETTA ELSP ASA B-27-20,2X33,6X4 ZN	SCHEIBE ELSP ASA B- 27 - 20,2X33,6X4 ZN	RONDELLE ELS ASA B- 27 - 20,2X33,6X4 ZN	ARANDELA ELSP ASA B-27-20,2X33,6X4 ZN	
039	96618322	BOLT TE M 20X140 UNI 5739 8.8 ZN	VITE TE M20X140 UNI 5739 8.8 ZN	SCHRAUBE TE M 20 X 140 UNI 5739 8,8 ZN	VIS TE M 20X140 UNI 5739 8.8 ZN	TORNILLO TE M20X140 UNI 5739 8.8 ZN	
040	97096211	SMOOTH WASHER UNI 6592 - 25X44X4,0 ZN	ROSETTA PIANA UNI 6592-25,0X44X4,0 ZN	GLATTE SCHEIBE UNI 6592 - 25X44X4 ZN	RONDELL.LISSE UNI 6592 - 25X44X4,0 ZN	ARANDELA PLANA UNI 6592-25,0X44X4,0 ZN	
041	96622421		VITE TE M24X100 UNI 5737 8.8 ZN				
042	97495631	WASHER ELSP ASA B- 27 - 24,5X40X5 ZN	ROSETTA ELSP ASA B-27-24,5X40X5 ZN	SCHEIBE ELSP ASA B- 27 - 24,5X40X5 ZN	RONDELLE ELS ASA B- 27 - 24,5X40X5 ZN	ARANDELA ELSP ASA B-27-24,5X40X5 ZN	
043	97156421		DADO AUTOBLOC.ALTO M24-6S UNI747				
044	17703076		ROTULA D.50 H.51 II CAT ART.1504 AMA				
045	17703071		INTERFACCIA DI MONTAGGIO MOD 09				
046	18401023	SELFLUBRICATING BUSHING 40X50X40	BOCCOLA IN BRONZO 40X50X40 (CPS 40F50)	BRONZEBUECHSE 40 X 50 X 40 (CPS 40F50)	DOUILLE AUTOLUBRIFIANT 40X50X40	CASQUILLO DE BRONCE 40X50X40	
047	17703049		SUPPORTO BRACCI CPL MOLT 301 X OPT 138				
048	97036611	GREASE NIPPLE UNI 7663 AM 6-5.8	INGRASS DIRITTO UNI 7663 AM 6X1(5-8CH7	SCHMIERNIPPEL UNI 7663 AM 6X1 (5-8)	GRAISSEUR UNI 7663 AM 6-5.8	LUBRICADOR UNI 7663 AM 6X1(5-8CH7	
049	18903282		BRACCIO X SYS OSCILLANTE MECC				
050	17703075		GANCIO RAPIDO SUP II CAT AGRS975				
051	18903281		PERNO CON GOCCIA D40 X 320 INT 45				
052	14412002	PIN WITH PLATE D 25X 95 INT=28	PERNO CON GOCCIA D25X 95 INT=28	BOLZEN M.PLATTE D 25X 95 INT=28	GOUJON A.PLAQUE D 25X 95 INT=28	PERNO CON PLACA D 25X 95 INT=28	
053	97094911	SMOOTH WASHER UNI 6592 - 08,4X16X1,6 ZN	ROSETTA PIANA UNI 6592-08,4X16X1,6 ZN	GLATTE SCHEIBE UNI 6592 - 8,4X16X1,6 ZN	RONDELL.LISSE UNI 6592 - 08,4X16X1,6 ZN	ARANDELA PLANA UNI 6592-08,4X16X1,6 ZN	
054	97494831	WASHER ELSP ASA B- 27 - 08,2X14,8X2 ZN	ROSETTA ELSP ASA B-27-8,2X14,8X2 ZN	SCHEIBE ELSP ASA B- 27 - 08,2X14,8X2 ZN	RONDELLE ELS ASA B- 27 - 08,2X14,8X2 ZN	ARANDELA ELSP ASA B-27-8,2X14,8X2 ZN	
055	96605621	BOLT TE M 08X025 UNI 5739 8.8 ZN	VITE TE M 8X 25 UNI 5739 8.8 ZN	SCHRAUBE TE M 8 X 25 UNI 5739 8,8 ZN	VIS TE M 08X025 UNI 5739 8.8 ZN	TORNILLO TE M 8X 25 UNI 5739 8.8 ZN	

Pos.	Code	Description	Descrizione	Beschreibung	Description	Descripción	Info
056	96615221	BOLT TE M 16X070 UNI 5737 8.8 ZN	VITE TE M16X 70 UNI 5737 8.8 ZN	SCHRAUBE TE M 16 X 70 UNI 5737 8,8 ZN	VIS TE M 16X070 UNI 5737 8.8 ZN	TORNILLO TE M16X 70 UNI 5737 8.8 ZN	
057	97972621		DADO AUTOBLOC.BASSO M16 X 1,5 UNI7474				
058	96607721	BOLT TE M 10X030 UNI 5739 8.8 ZN	VITE TE M10X 30 UNI 5739 8.8 ZN	SCHRAUBE TE M 10 X 30 UNI 5739 8,8 ZN	VIS TE M 10X030 UNI 5739 8.8 ZN	TORNILLO TE M10X 30 UNI 5739 8.8 ZN	
059	97495031	WASHER ELSP ASA B- 27 - 12,2X21,2X2,5 ZN	ROSETTA ELSP ASA B-27- 12,2X21,2X2,5 ZN	SCHEIBE ELSP ASA B-27 - 12,2X21,2X2,5 ZN	RONDELLE ELS ASA B- 27 - 12,2X21,2X2,5 Z	ARANDELA ELSP ASA B-27- 12,2X21,2X2,5 ZN	
060	97093211	WASHER	ROSETTA PIANA CARPENT.X M12 UNI 5714 ZN	GLATTE SCHEIBE F. M12 UNI 5714 ZN	RONDELLE LISSE M M12 UNI 5714	ARANDELA PLANA CARPINT.X M12 UNI 5714 ZN	
061	96979671	NUT M10-6S UNI5589 H=06 ZN	DADO M10-6S UNI5589 BASSO H=06 ZN	MUTTER M10-6S UNI5589 H=06 ZN NIEDER	ECR. M10-6S UNI5589 H=06 ZN	TUERCA M10-6S UNI5589 H=06 ZN	
062	18703007		CARDANO BONDIOLI S0 L=225				
063	18703009		PROLUNGA CPL MAXISOIL				
064	18703031		FLANGIA ESTERNA X FISSAGGIO MOLT 332A				
065	96603021	BOLT TE M 18X060 UNI 5737 8.8 ZN	VITE TE M18X 60 UNI 5737 8.8 ZN	SCHRAUBE TE M 18 X 60 UNI 5737 8,8 ZN	VIS TE M 18X060 UNI 5737 8.8 ZN	TORNILLO TE M18X 60 UNI 5737 8.8 ZN	
066	18703029	BELT SPCP 2800 PREDATOR	CINGHIA SPCP 2800 PREDATOR	KEILRIEMEN SPCP 2800 PREDATOR	COURR.SPCP 2800 PREDATOR	CORREA SPCP 2800 PREDATOR	



Pos.	Code	Description	Descrizione	Beschreibung	Description	Descripción	Info
001	48403323		INGR. CONICO Z33 M8.5 (0.332.6003.00)				
002	48403324		SCATOLA				
003	48030788	BOLT TE M 10X022 UNI 5739 8.8 BLACK	VITE TE M10X 22 UNI 5739 8.8(.1.1.00501	SCHRAUBE TE M 10X22 UNI 5739 8.8 SCHW	VIS TE M 10X022 UNI 5739 8.8 NOIRE	TORNILLO TE M10X22 UNI 5739 8.8 1100501	
004	48403232	CAP EXT.HEX. 1/2"GAS (8.6.5.00203)	TAPPO CON.ESAG.EST.1/2"GAS (8.6.5.00203)	PFFROPFEN AUSS. SECHSKANT 1/2"GAS	BOUCHON HEX.EXT. 1/2"GAS(8.6.5.00203)	TAPON CON.EXAGONO.EST.1/2"GAS (86500203)	
005	48403325		COPERCHIO				
006	48403326		CURVA 90 GRADI 1/2" GAS				
007	48403327		PIGNONE CONICO Z17 M8.5 (0.332.5000.00)				
008	48403231	CAP SFIA.ANTICOND.1/2"GAS (8.6.7.00269)	TAPPO SFIA.ANTICOND.1/2"GAS (8.6.7.00269)	ENTLUEFTUNGSPFFROPFEN 1/2"GAS	BOUCHON SFIA.ANTICOND	TAPON SFIA.ANTICOND.1/2"GAS (8.6.7.00269)	
009	96610021	BOLT TE M 12X035 UNI 5739 8.8 ZN	VITE TE M12X 35 UNI 5739 8.8 ZN	SCHRAUBE TE M 12 X 35 UNI 5739 8,8 ZN	VIS TE M 12X035 UNI 5739 8.8 ZN	TORNILLO TE M12X 35 UNI 5739 8.8 ZN	
010	48403328		COPERCHIO				
011	48403329		ANELLO DI TEN.LAB/P 80X110X10				
012	48403330		ALBERO PASSANTE 1"3/4Z20-1"3/4 Z20				
013	48403331		SPES. REG. 125.5 X 139.5				
014	48403332		CUSCINETTO 30216 RUL.CON.				
015	48403333		CUSCINETTO 32313 RUL.CON.				
016	48403334		CUSCINETTO 32212 RUL.CON.				
017	48403335		ANELLO DI TENUTA 50 X 110 X 12				
018	48403336		DADO DI REGISTRAZIONE M60X2				

Hutch

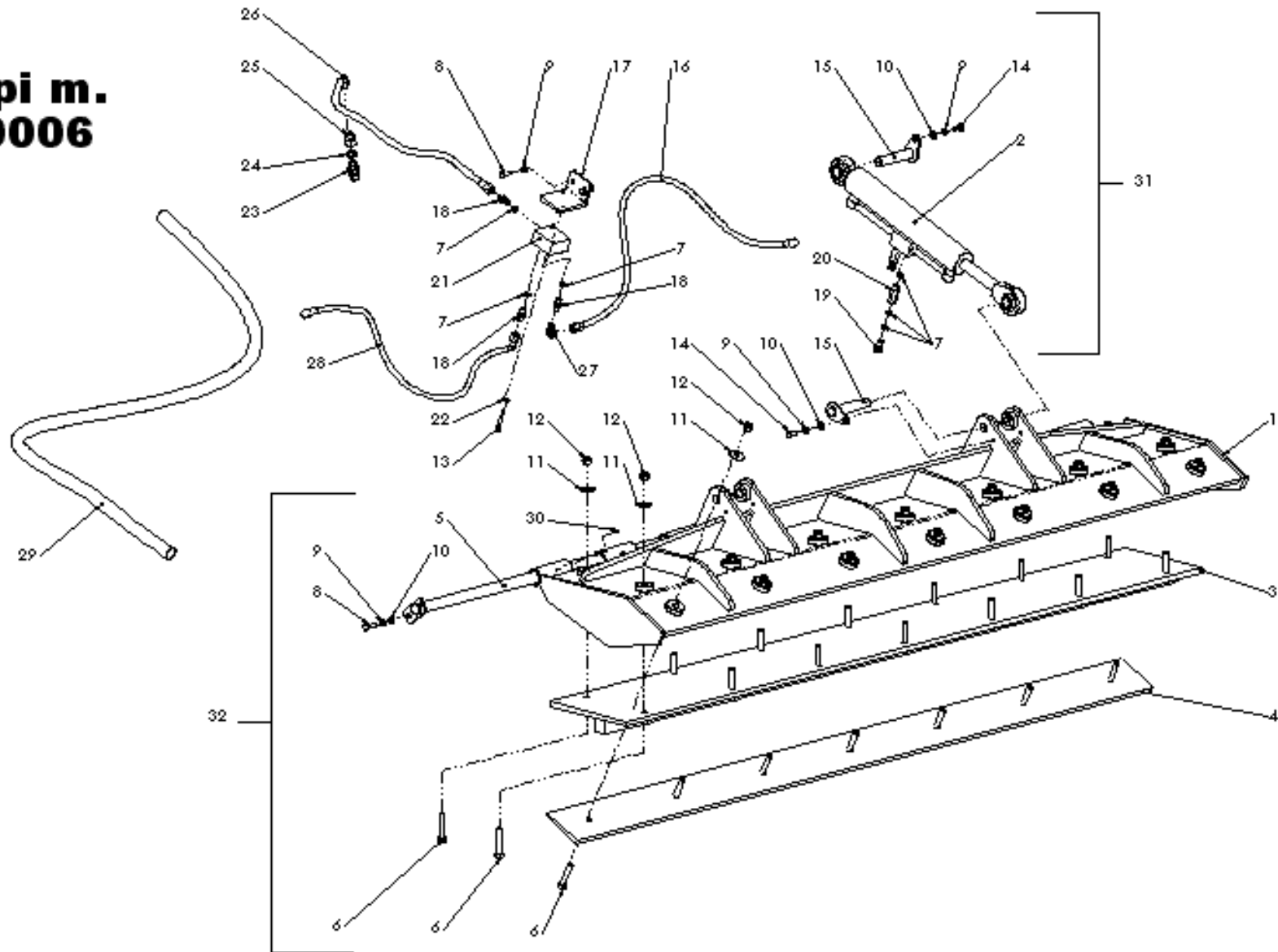
cofano

Haube

Capot

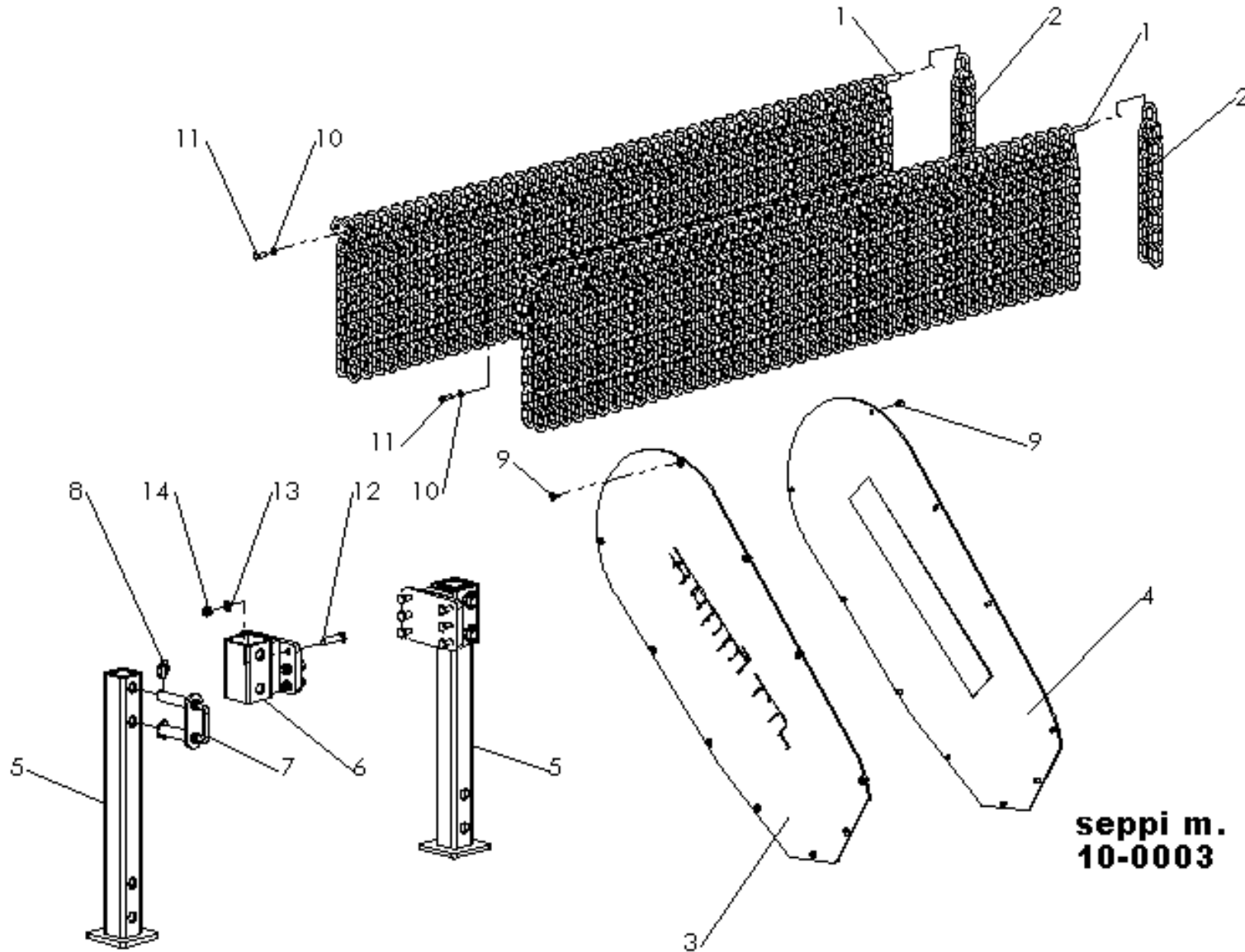
Capó

**seppi m.
08-0006**



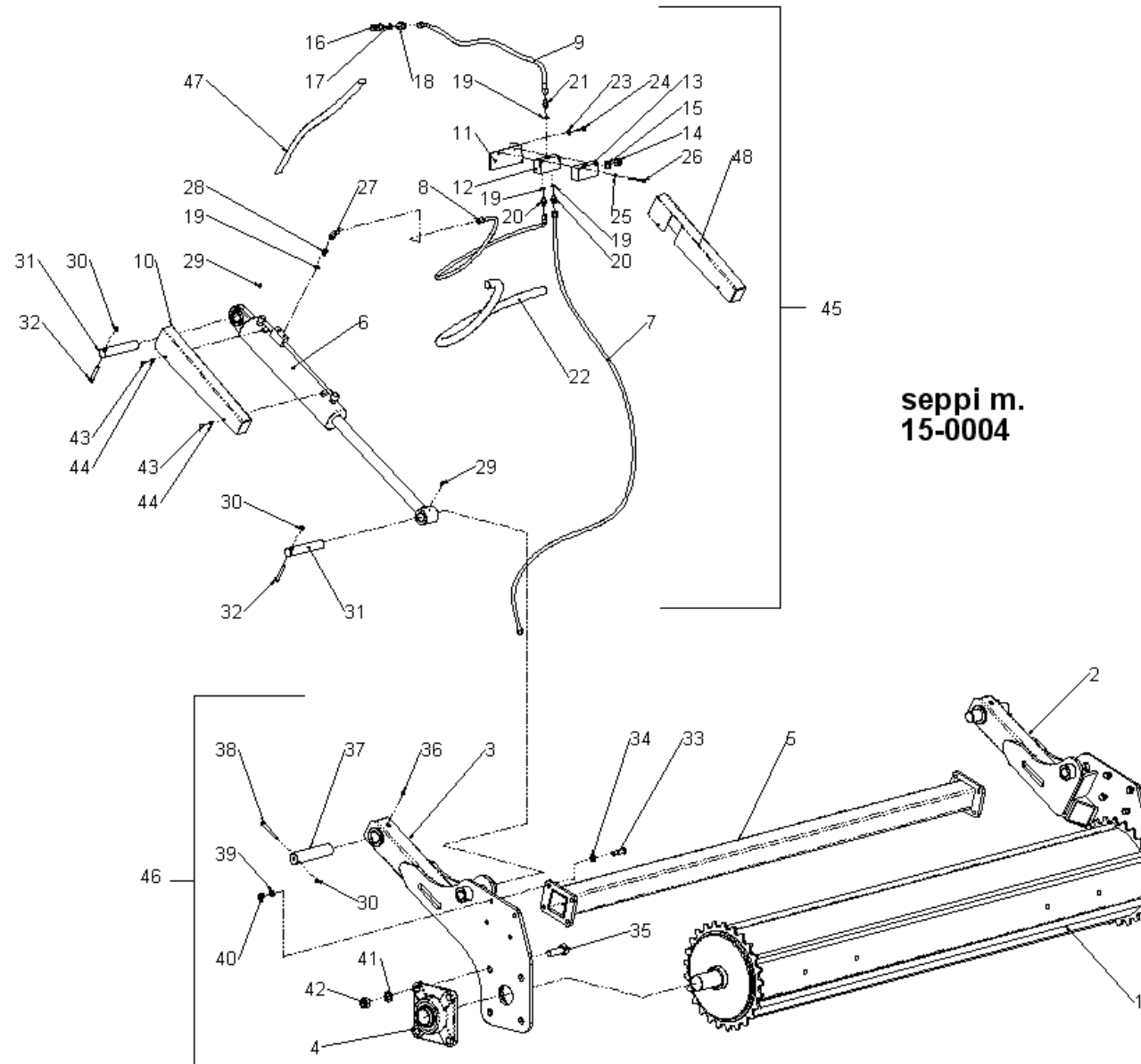
Pos.	Code	Description	Descrizione	Beschreibung	Description	Descripción	Info
001	18708005		COFANO CPL MAXISOIL FR L=225				
002	18012001	HYDR.CYL. 60X30X345 (595-940) + VAL	CILINDRO HYD 60X30X345 (595-940) + VAL	HYDR. ZYL. 60 X 30 X 345 + STOPVENTIL	CYLINDRE HYD 60X30X345 (595-940) + VAL	CILINDRO HIDR. 60X30X345 (595-940) + VAL	
003	18708036		CONTROPIASTRA SUP X COFANO 225 CPL				
004	18708029		CONTROPIASTRA INF X COFANO 225 CPL				
005	18208014		ASTA CPL CERNIERE COFANO MEGAFORST 225				
006	96613027		VITE TE M14X 70 UNI 5737 8.8 NERA				
007	96508160	COPPER GASKET 14 X 18 (1/4")	GUARNIZIONE A SEZ.RETT.A14 X 18 (1/4")	KUPFERDICHTUNG 14 X 18 (1/4")	JOINT EN CUIVRE 14 X 18 (1/4")	JUNTA SECC. RECT. A14 X 18 (1/4")	
008	96607721	BOLT TE M 10X030 UNI 5739 8.8 ZN	VITE TE M10X 30 UNI 5739 8.8 ZN	SCHRAUBE TE M 10 X 30 UNI 5739 8,8 ZN	VIS TE M 10X030 UNI 5739 8.8 ZN	TORNILLO TE M10X 30 UNI 5739 8.8 ZN	
009	97494931	WASHER ELSP ASA B- 27 - 10,2X18,1X2,2 ZN	ROSETTA ELSP ASA B-27- 10,2X18,1X2,2 ZN	SCHEIBE ELSP ASA B-27 - 10,2X18,1X2,2 ZN	RONDELLE ELS ASA B- 27 - 10,2X18,1X2,2 Z	ARANDELA ELSP ASA B-27- 10,2X18,1X2,2 ZN	
010	97095111	SMOOTH WASHER UNI 6592 - 10,5X21X2,0 ZN	ROSETTA PIANA UNI 6592- 10,5X21X2,0 ZN	GLATTE SCHEIBE UNI 6592 - 10,5X21X2 ZN	RONDELL.LISSE UNI 6592 - 10,5X21X2,0 ZN	ARANDELA PLANA UNI 6592- 10,5X21X2,0 ZN	
011	19201010	SPRING 40X14,3X2 N	MOLLA A TAZZA 40X14,3X2	TELLERFEDER 40X14,3X2	RESSORT 40X14,3X2 N	MUELLE 40X14,3X2 N	
012	97972321	LOW.SELFBLOCK.NUT M 14-6S UNI7474	DADO AUTOBLOC.BASSO M14-6S UNI7474	SELBSTSICHER.MUTTER M14-6S UNI7474 NIED.	ECROU AUTOSERR.M 14-6S UNI7474	TUERCA AUTO BLOQ. BAJA M 14-6S UNI7474	
013	96691121	BOLT TCEI M 08X050 UNI 5931 8.8 ZN	VITE TCEI M 8X 50 UNI 5931 8.8 ZN	SCHRAUBE TCEI M 08X050 UNI 5931 8.8 ZN	VIS TCEI M 08X050 UNI 5931 8.8 ZN	TORNILLO TCEI M 8X 50 UNI 5931 8.8 ZN	
014	96607631		VITE TE M10X 25 UNI 5739 10.9 ZN				
015	19004038	PIN WITH PLATE D 25X125 INT=45	PERNO CON GOCCIA D25X125 INT=45	BOLZEN M.PLATTE D 25X125 INT=45	GOUJON A.PLAQUE D 25X125 INT=45	PERNO CON PLACA D 25X125 INT=45	
016	20012003	HOSE SAE R2ATDN 1/4"X 1800 FD -O	TUBO SAE R2ATDN 1/4"X 1800 FD -O	SCHLAUCH SAE R2ATDN 1/4"X 1800 FD-O	TUBE SAE R2ATDN 1/4"X 1800 FD -O	TUBO SAE R2ATDN 1/4"X 1800 FD -O	
017	18712002		SOSTEGNO BLOCCO A 4 VIE X COFANO				
018	48120022	COUPLING M 1/4	NIPPLO M-M 1/4	NIPPL M-M 1/4"	JOINT M 1/4	EMPALME M 1/4	
019	19412007	BOLT FOR COUPLING 1/4"	VITE X RACCORDO AD OCCHIO 1/4"	SCHRAUBE F. ANSCHLUSSSTUECK 1/4"	VIS POUR JOINT 1/4"	TORNILLO X EMPALME A OJO 1/4"	
020	18712005		PROLUNGA M - F 1/4" L=54				
021	17912004	ALUM.BLOC 4 VIE 1/4" 40X70	BLOCCO ALLUM.4 VIE 1/4 40X70	ALLUM. BLOCK 4-WEGE 1/4" 40X70	BLOC D'ALUM. 4 VIE 1/4" 40X70	BLOQUE ALUM. 4 VIE 1/4" 40X70	
022	97494831	WASHER ELSP ASA B- 27 - 08,2X14,8X2 ZN	ROSETTA ELSP ASA B-27- 8,2X14,8X2 ZN	SCHEIBE ELSP ASA B- 27 - 08,2X14,8X2 ZN	RONDELLE ELS ASA B- 27 - 08,2X14,8X2 ZN	ARANDELA ELSP ASA B-27- 8,2X14,8X2 ZN	
023	48112032		RACCORDO PASSAPARETE M1/2"-M1/2"				
024	96508460	COPPER GASKET 21,5X27 (1/2")	GUARNIZIONE A SEZ.RETT.A21,5X 27 (1/2")	KUPFERDICHTUNG 21,5 X 27 (1/2")	JOINT EN CUIVRE 21,5X27 (1/2")	JUNTA SECC. RECT. A21,5X 27 (1/2")	
025	18712006		RACCORDO DI RIDUZIONE M1/4"-F1/2"				
026	17612010		TUBO SAE R2ATDN 1/4"X 700 FD -F90°				
027	48112031	#N/D	CURVA 90° M-F GIREVOLE 1/4"	BIEGEUNG 90 M-W DREHBAR 1/4"	COURBE 90 M-H	CODO 90° M-H GIRATORIO 1/4"	

Pos.	Code	Description	Descrizione	Beschreibung	Description	Descripción	Info
028	18012002	HOSE SAE 100R1ATDN1/4"X1000 O-F90	TUBO SAE R2ATDN 1/4"X 1000 F90°-O	SCHLAUCH SAE 100R1ATDN1/4"X1000 O-F90	TUBE SAE 100R1ATDN1/4"X1000 O-F90	TUBO SAE R2ATDN 1/4"X 1000 F90°-O	
029	17912006	PROTECTION SHEATH D. 32 L=2000	GUAINA DI PROTEZIONE D.35 L=2000	SCHUTZHUELLE D. 35 L=2000	GAINES DE PROT. D. 32 L=2000	VAINA PROTECCION D. 35 L=2000	
030	97036611	GREASE NIPPLE UNI 7663 AM 6-5.8	INGRASS DIRITTO UNI 7663 AM 6X1(5-8CH7	SCHMIERNIPPEL UNI 7663 AM 6X1 (5-8)	GRAISSEUR UNI 7663 AM 6- 5.8	LUBRICADOR UNI 7663 AM 6X1(5-8CH7	
031	18712003		GR IMPIANTO HYD X COFANO MAXISOIL				
032	18708012		GRUPPO COFANO MAXISOIL FR L=225				



**seppi m.
10-0003**

Pos.	Code	Description	Descrizione	Beschreibung	Description	Descripción	Info
001	17910222	CHAIN HODER BAR MIDIFORST L=225 MOD 06	ASTA CATENE CPL MIDIFORST L=225 MOD 06	STAB F. KETTENSCHUTZ MIDIFORST L=225 '06	BARR.CHAINE MIDIFORST L=225 MOD 06	BARRA PARA CADENA MIDIFORST L=225 MOD 06	
002	19010027	CHAIN PROT. 17 CHAINS LINK 12	CATENA DI PROTEZIONE 17 MAGLIE FILO 12	SCHUTZKETTE 17- MASCHEN 12 MM	CHAINE DE PROT. 17 CHAIN.MAIL. 12	CADENA DE PROTECC. 17 ESLABONES HILO 12	
003	18710011		COPERCHIO CINGHIE MAXISOIL SX CPL				
004	18710012		COPERCHIO CINGHIE MAXISOIL DX CPL				
005	18710034		PIEDINO DI APPOGGIO CPL				
006	18710029		SOSTEGNO PIEDINO CPL				
007	18710037		PERNO BLOCCAGGIO PIEDINO				
008	16004014	PIN D. 10	SPINA A SCATTO D.10	SPERRBOLZEN DM 10	GOUJON D. 10	PERNO A SCATTO D.10	
009	75000232		VITE TSEI M10X 20 UNI 5933 10.9 ZN				
010	97494931	WASHER ELSP ASA B- 27 - 10,2X18,1X2,2 ZN	ROSETTA ELSP ASA B-27- 10,2X18,1X2,2 ZN	SCHEIBE ELSP ASA B-27 - 10,2X18,1X2,2 ZN	RONDELLE ELS ASA B- 27 - 10,2X18,1X2,2 Z	ARANDELA ELSP ASA B-27- 10,2X18,1X2,2 ZN	
011	96607721	BOLT TE M 10X030 UNI 5739 8.8 ZN	VITE TE M10X 30 UNI 5739 8.8 ZN	SCHRAUBE TE M 10 X 30 UNI 5739 8,8 ZN	VIS TE M 10X030 UNI 5739 8.8 ZN	TORNILLO TE M10X 30 UNI 5739 8.8 ZN	
012	96615223	BOLT TE M16X 70 UNI 5737 10.9 ZN	VITE TE M16X 70 UNI 5737 10.9 ZN	SCHRAUBE TE M 16 X 70 UNI 5737 10,9 ZN	VIS TE M16X 70 UNI 5737 10.9 ZN	TORNILLO TE M16X 70 UNI 5737 10.9 ZN	
013	97495231	WASHER ELSP ASA B- 27 - 16,2X27,4X3,5 ZN	ROSETTA ELSP ASA B-27- 16,2X27,4X3,5 ZN	SCHEIBE ELSP ASA B-27 - 16,2X27,4X3,5 ZN	RONDELLE ELS ASA B- 27 - 16,2X27,4X3,5 Z	ARANDELA ELSP ASA B-27- 16,2X27,4X3,5 ZN	
014	97972521	LOW.SELFBLOCK.NUT M 16- 6S UNI7474	DADO AUTOBLOC.BASSO M16-6S UNI7474	SELBSTSICHER.MUTTER M16-6S UNI7474 NIED.	ECROU AUTOSERR.M 16-6S UNI7474	TUERCA AUTO BLOQ. BAJA M 16-6S UNI7474	



Pos.	Code	Description	Descrizione	Beschreibung	Description	Descripción	Info
001	18715009		RULLO COMPATTATORE 225 CPL				
002	18715018		BRACCIO DX X RULLO COMPATT				
003	18715017		BRACCIO SX X RULLO COMPATT				
004	18715016		SUPPORTO NSK-UKF 316 + BUSSOLA CONICA H				
005	18715025		TRAVERSA COLLEGAMENTO RULLO CPL L=225				
006	17712003		CILINDRO HYD 100X50X460 (885-1345)+VAL				
007	10412105	HOSE SAE R2ATDN 1/4"X 2200 FD -FD	TUBO SAE R2ATDN 1/4"X 2200 FD -FD	SCHLAUCH SAE R2ATDN 1/4"X 2200 FD-FD	TUBE SAE R2ATDN 1/4"X 2200 FD -FD	TUBO SAE R2ATDN 1/4"X 2200 FD -FD	
008	10412097		TUBO SAE R2ATDN 1/4"X 1800 FD -F90°				
009	10412104		TUBO SAE R2ATDN 3/8"X 600 FD -F45°				
010	17710035		COPERTURA VALVOLA DI BLOCCO DX				
011	18712001		SOSTEGNO DIVISORI DI FLUSSO X RULLO				
012	10112110		DIVISORE DI FLUSSO RIUNIF.50-50 DFR38-02				
013	17112003	ALUM.BLOC	BLOCCO DFR A 3 VIE 3/8"	BLOCK DFR 3-WEGE 3/8"	BLOC D'ALUM.	BLOQUE ALUM.	
014	17112005	CAP M 27X2	TAPPO BRUGOLA M 27X2	PFROPFEN F. INBUSSSCHLUESSEL M 27X2	BOUCHON M 27X2	TAPON M 27X2	
015	96580926		GUARNIZ.TIPO BONDED 27,0*35,0*2,5 =M26				
016	48112032		RACCORDO PASSAPARETE M1/2"-M1/2"				
017	96508460	COPPER GASKET 21,5X27 (1/2")	GUARNIZIONE A SEZ.RETT.A21,5X 27 (1/2")	KUPFERDICHTUNG 21,5 X 27 (1/2")	JOINT EN CUIVRE 21,5X27 (1/2")	JUNTA SECC. RECT. A21,5X 27 (1/2")	
018	42012035		PROLUNGA M 3/8" - F 1/2"				
019	96508360	COPPER GASKET 17 X 22 (3/8")	GUARNIZIONE A SEZ.RETT.A17 X 22 (3/8")	KUPFERDICHTUNG 17 X 22 (3/8")	JOINT EN CUIVRE 17 X 22 (3/8")	JUNTA SECC. RECT. A17 X 22 (3/8")	
021	19012008	COUPLING M-M 3/8"	NIPPLO M-M 3/8"	ANSCHLUSS STUECK - M 3/8"	JOINT M-M 3/8"	EMPALME M-M 3/8"	
022	20012019	PROTECTION SHEATH D.35 L=2100	GUAINA DI PROTEZIONE D.35 L=2100	SCHUTZHUELLE D. 35 L=2100	GAINÉ DE PROT. D.35 L=2100	VAINA PROTECCION D.35 L=2100	
023	97494931	WASHER ELSP ASA B- 27 - 10,2X18,1X2,2 ZN	ROSETTA ELSP ASA B-27- 10,2X18,1X2,2 ZN	SCHEIBE ELSP ASA B-27 - 10,2X18,1X2,2 ZN	RONDELLE ELS ASA B- 27 - 10,2X18,1X2,2 Z	ARANDELA ELSP ASA B-27- 10,2X18,1X2,2 ZN	
024	96607721	BOLT TE M 10X030 UNI 5739 8.8 ZN	VITE TE M10X 30 UNI 5739 8.8 ZN	SCHRAUBE TE M 10 X 30 UNI 5739 8,8 ZN	VIS TE M 10X030 UNI 5739 8.8 ZN	TORNILLO TE M10X 30 UNI 5739 8.8 ZN	
025	97494731	WASHER ELSP ASA B- 27 - 06,1X11,8X1,6 ZN	ROSETTA ELSP ASA B-27- 6,1X11,8X1,6 ZN	SCHEIBE ELSP ASA B-27 - 06,1X11,8X1,6 ZN	RONDELLE ELS ASA B- 27 - 06,1X11,8X1,6 Z	ARANDELA ELSP ASA B-27- 6,1X11,8X1,6 ZN	
026	96690227	BOLT TCEI M 6X 90 UNI 5931 8.8 ZN	VITE TCEI M 6X 90 UNI 5931 8.8 ZN	SCHRAUBE TCEI M 6X 90 UNI 5931 8,8 ZN	VIS TCEI M 6X 90 UNI 5931 8.8 ZN	TORNILLO TCEI M 6X 90 UNI 5931 8.8 ZN	
027	20012009	JOIN 90° M-M GIREVOLE 1/4" + GUARNIZ.	CURVA 90° M-M GIREVOLE 1/4" + GUARNIZ.	KNIE 90° M-M DREHBAR 1/4" + DICHTUNG	CONNECTIONS 90° M-M GIREVOLE 1/4" + GUAR	CONNECTIONS 90° M-M GIREVOLE 1/4" + GUAR	

Pos.	Code	Description	Descrizione	Beschreibung	Description	Descripción	Info
028	42012059	SHAFT M 3/8" - F 1/4" L=33	RACCORDO M 3/8" - F 1/4" H=20	ANPASSUNGSSTUECK M 3/8" - F 1/4" L=33	PROLONGE M 3/8" - F 1/4" L=33	PROLONGACION M 3/8" - F 1/4" L=33	
029	97036611	GREASE NIPPLE UNI 7663 AM 6-5.8	INGRASS DIRITTO UNI 7663 AM 6X1(5-8CH7	SCHMIERNIPPEL UNI 7663 AM 6X1 (5-8)	GRAISSEUR UNI 7663 AM 6-5.8	LUBRICADOR UNI 7663 AM 6X1(5-8CH7	
030	97971821	LOW.SELFBLOCK.NUT M 10-6S UNI7474	DADO AUTOBLOC.BASSO M10-6S UNI7474	SELBSTSICHER.MUTTER M10-6S UNI7474 NIED.	ECROU AUTOSERR.M 10-6S UNI7474	TUERCA AUTO BLOQ. BAJA M 10-6S UNI7474	
031	17709022	PIN D40 L=199	PERNO D40 L=209 CON FORO D11 RETT H6	BOLZEN D40 L=209 MIT LOCH D11 H6	GAUJON D40 L=199	PERNO D40 L=199	
032	96608621	BOLT TE M10X080 UNI 5737 8.8 ZN	VITE TE M10X 80 UNI 5737 8.8 ZN	SCHRAUBE TE M 10 X 80 UNI 5737 8,8 ZN	VIS TE M10X080 UNI 5737 8.8 ZN	TORNILLO TE M10X 80 UNI 5737 8.8 ZN	
033	96615023		VITE TE M16X 60 UNI 5739 10.9 ZN				
034	97095711	SMOOTH WASHER UNI 6592 - 16X30X3,0 ZN	ROSETTA PIANA UNI 6592-16,0X30X3,0 ZN	GLATTE SCHEIBE UNI 6592 - 16X30X3 ZN	RONDELL.LISSE UNI 6592 - 16X30X3,0 ZN	ARANDELA PLANA UNI 6592-16,0X30X3,0 ZN	
035	96627121	BOLT TE M27X 80 UNI 5737 10.9 ZN	VITE TE M27X 80 UNI 5737 10.9 ZN	SCHRAUBE TE M 27 X 80 UNI 5737 10,9 ZN	VIS TE M27X 80 UNI 5737 10.9 ZN	TORNILLO TE M27X 80 UNI 5737 10.9 ZN	
036	97036711	GREASE NIPPLE UNI 7663 AM M8X1,25	INGRASS DIRITTO UNI 7663 AM 8X1,25	SCHMIERNIPPEL UNI 7663 AM M8X1,25	GRAISSEUR UNI 7663 AM M8X1,25	LUBRICADOR UNI 7663 AM 8X1,25	
037	18715030		PERNO D50 L=200 CON 1 FORI D11 RETT H6				
038	96608821	BOLT TE M10X100 UNI 5737 8.8 ZN	VITE TE M10X100 UNI 5737 8.8 ZN	SCHRAUBE TE M 10 X 100 UNI 5737 8,8 ZN	VIS TE M10X100 UNI 5737 8.8 ZN	TORNILLO TE M10X100 UNI 5737 8.8 ZN	
039	97495231	WASHER ELSP ASA B- 27 - 16,2X27,4X3,5 ZN	ROSETTA ELSP ASA B-27-16,2X27,4X3,5 ZN	SCHEIBE ELSP ASA B-27 - 16,2X27,4X3,5 ZN	RONDELLE ELS ASA B- 27 - 16,2X27,4X3,5 Z	ARANDELA ELSP ASA B-27-16,2X27,4X3,5 ZN	
040	97972521	LOW.SELFBLOCK.NUT M 16-6S UNI7474	DADO AUTOBLOC.BASSO M16-6S UNI7474	SELBSTSICHER.MUTTER M16-6S UNI7474 NIED.	ECROU AUTOSERR.M 16-6S UNI7474	TUERCA AUTO BLOQ. BAJA M 16-6S UNI7474	
041	97495731		ROSETTA ELSP ASA B-27-28,0X42X5 ZN				
042	97973521	LOW.SELFBLOCK.NUT M 27-6S UNI7474	DADO AUTOBLOC.BASSO M27-6S UNI7474	SELBSTFIX.MUTTER M 27-6S UNI7474	ECROU AUTOSERR.M 27-6S UNI7474	TUERCA AUTO BLOQ. BAJA M 27-6S UNI7474	
043	96605321	BOLT TE M 08X012 UNI 5739 8.8 ZN	VITE TE M 8X 12 UNI 5739 8.8 ZN	SCHRAUBE TEM 8 X 12 UNI 5739 8,8 ZN	VIS TE M 08X012 UNI 5739 8.8 ZN	TORNILLO TE M 8X 12 UNI 5739 8.8 ZN	
044	97494831	WASHER ELSP ASA B- 27 - 08,2X14,8X2 ZN	ROSETTA ELSP ASA B-27-8,2X14,8X2 ZN	SCHEIBE ELSP ASA B- 27 - 08,2X14,8X2 ZN	RONDELLE ELS ASA B- 27 - 08,2X14,8X2 ZN	ARANDELA ELSP ASA B-27-8,2X14,8X2 ZN	
045	18712004		GR IMPIANTO HYD X RULLO COMPATTATORE				
046	18715012		GR.RULLO COMPATTATORE MAXISOIL 225				
047	11912026		GUAINA DI PROTEZIONE D.63 L=2150				
048	17710034		COPERTURA VALVOLA DI BLOCCO SX				

